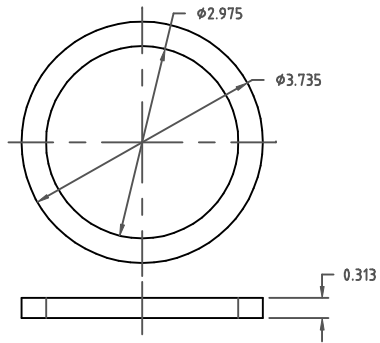


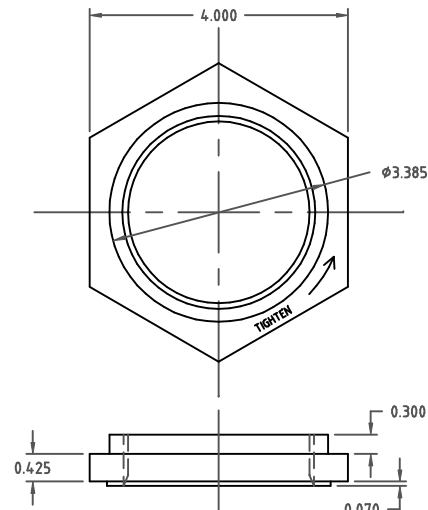
10507

A

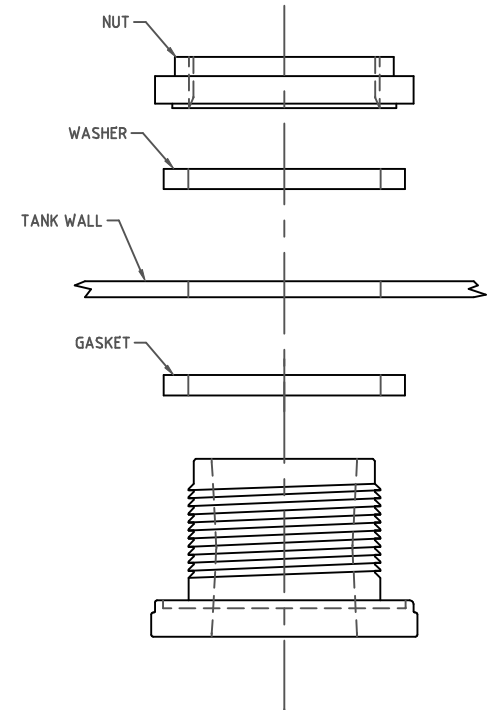
EPDM GASKET



POLYPROPYLENE NUT

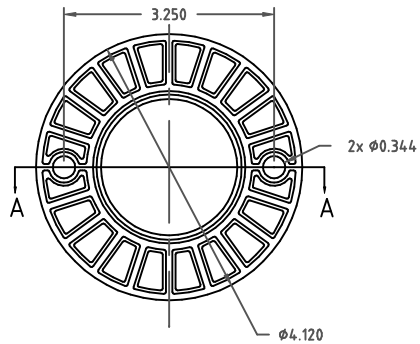
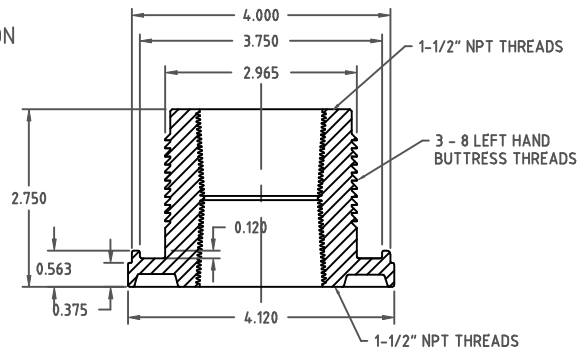


ASSEMBLY

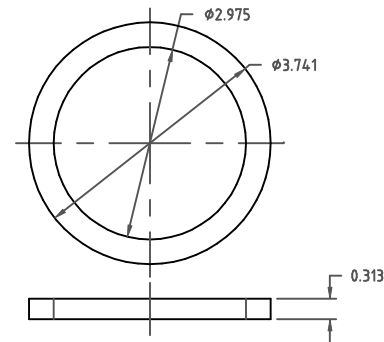


POLYPROPYLENE BODY

SECTION A-A



POLYPROPYLENE WASHER



				DRAWN / DATE DHJ/12/14/04		MATERIAL			
				APPRD. / DATE GWC 4/13/07				CLIENT / DESCRIPTION STANDARD 1 1/2" BULKHEAD	
REV	DESCRIPTION	DATE	APPRD			NOTES:		SCALE	PART NO.
A	UPDATE LOGO AND TOL. CCN 1296	4/13/07	GWC					NONE	HA1550
<p>ALL DIMENSIONS ARE IN DECIMAL INCHES TOLERANCES UNLESS OTHERWISE SPECIFIED</p> <p>.XXX +/- .016" .XX +/- .032" .X +/- .062"</p>				<p>THIRD ANGLE PROJECTION ANSI 14.5M</p>					