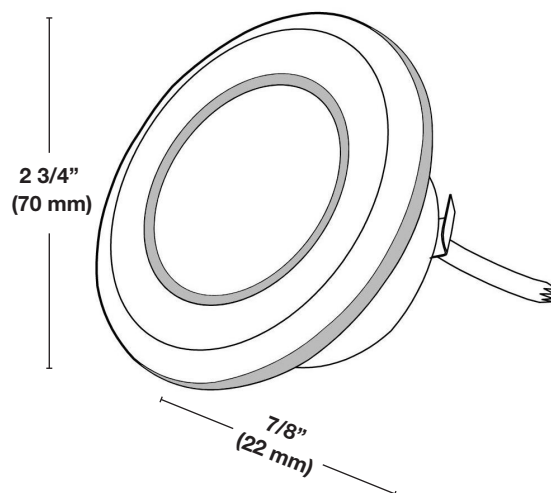


PROJET:

Spécifications

Matériel	Acier inoxydable: Luminaire encastré et anneau
Finition	brossé
Lentille	Tempered frosted glass
Source lumineuse	DEL intégré blanc (Diode électroluminescente)
Température (Couleur)	3000 Kelvin
Flux lumineux	220 Lumens
Gradable	Oui
Tension	AC/DC 12 V
Consommation	1 Watt ou 3 watts selon le modèle
Usage	Utiliser une perceuse à percussion avec une mèche de 2" (51 mm) pour percer le trou de la grosseur appropriée pour insérer le luminaire.
Certification	Le luminaire a été testé par Intertek et est conforme aux normes UL 1838 et CSA C22.2 No. 250.7.
Garantie	3 ans limitée



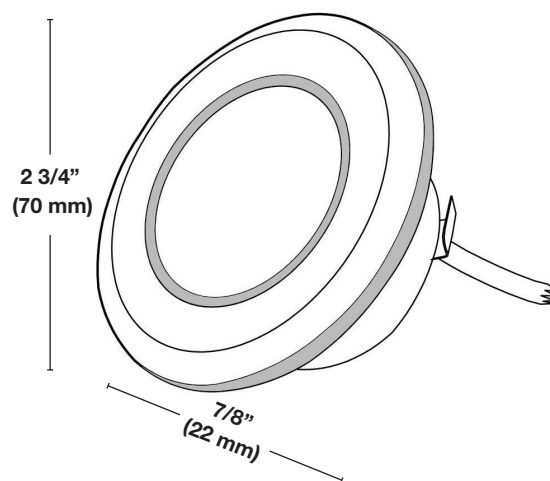
Information de commande

Modèle	SWL010SS -						
	<table border="0"> <tr> <td></td> <td>Watts</td> </tr> <tr> <td>Luminaire encastré DEL</td> <td> <table border="0"> <tr> <td>1 - 1 Watt</td> </tr> <tr> <td>3 - 3 Watts</td> </tr> </table> </td> </tr> </table>		Watts	Luminaire encastré DEL	<table border="0"> <tr> <td>1 - 1 Watt</td> </tr> <tr> <td>3 - 3 Watts</td> </tr> </table>	1 - 1 Watt	3 - 3 Watts
	Watts						
Luminaire encastré DEL	<table border="0"> <tr> <td>1 - 1 Watt</td> </tr> <tr> <td>3 - 3 Watts</td> </tr> </table>	1 - 1 Watt	3 - 3 Watts				
1 - 1 Watt							
3 - 3 Watts							

PROJET:	
---------	--

Specifications

Material	Stainless steel: Recessed luminaire and ring
Finish	Brushed
Lens	Verre givré trempé
Light source	Built-in White LEDs (Light Emitting Diode)
Color Temperature	3000 Kelvin
Luminous Flux	220 Lumens
Dimmable	Yes
Voltage	12-Volts AC/DC
Power Usage	1 Watt or 3 watts depending on model
Usage	Use a hammer drill with a wick of 2" (51 mm) to drill the appropriate size hole to insert the light fixture.
Certification	The luminaire is tested by Intertek and conforms to UL standard 1838 and CSA C22.2 No. 250.7.
Warranty	Limited 3-year



Order information

Model	SWL010SS -																				
	<table border="0"> <tr> <td style="border: 1px solid black; width: 20px; height: 10px;"></td> <td style="border: 1px solid black; width: 20px; height: 10px;"></td> <td style="border: 1px solid black; width: 20px; height: 10px;"></td> <td style="border: 1px solid black; width: 20px; height: 10px;"></td> <td style="border: 1px solid black; width: 20px; height: 10px;"></td> </tr> <tr> <td></td> <td></td> <td style="text-align: center;">Watts</td> <td></td> <td></td> </tr> <tr> <td style="text-align: center;">Recessed LED light</td> <td></td> <td style="border: 1px solid black; width: 20px; height: 10px;"></td> <td style="border: 1px solid black; width: 20px; height: 10px;"></td> <td style="border: 1px solid black; width: 20px; height: 10px;"></td> </tr> <tr> <td></td> <td></td> <td style="text-align: center;">1 - 1 Watt</td> <td style="text-align: center;">3 - 3 Watts</td> <td></td> </tr> </table>								Watts			Recessed LED light							1 - 1 Watt	3 - 3 Watts	
		Watts																			
Recessed LED light																					
		1 - 1 Watt	3 - 3 Watts																		