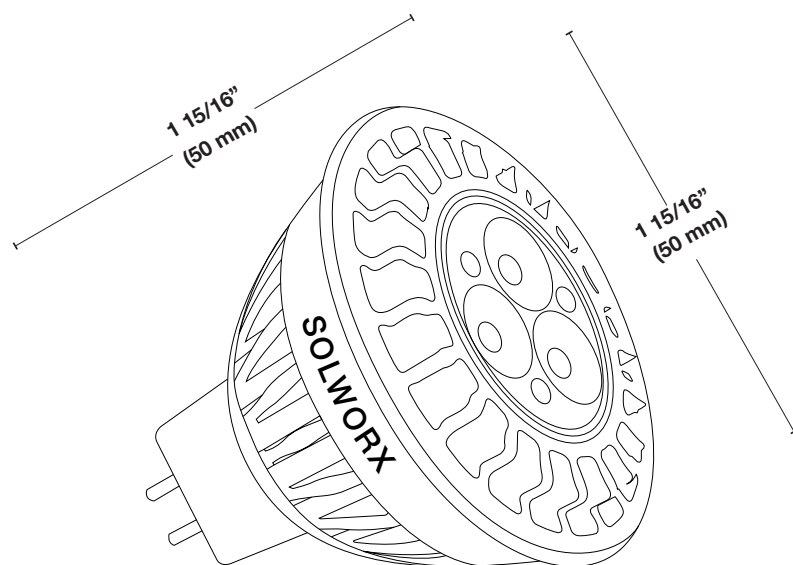


PROJET:

Spécifications

| | |
|----------------------------------|---------------------------------|
| Ampoule | MR16 |
| Base | GU5.3 |
| Tension | 9 V - 18 V AC/DC |
| Source de lumière | DEL (Diode électroluminescente) |
| Puissance | 4 watts |
| Halogène Puissance comparable | ≈ 40 Watts |
| Angle d'éclairage | 30°, 45°, 60°, 100° |
| Température (Couleur) | 2700 or 3000 Kelvin |
| Flux lumineux | 350 lumens |
| Rendu de couleur (IRC) | 80+ |
| Durée de vie moyenne | 40 000 heures |
| MOL | 1 15/16" (50 mm) |
| Usage | Convient aux luminaires fermés |
| Gradable | Oui |
| Certification | UL 1838 & CSA C22.2 No. 250.7 |
| Garantie | 5 ans limitée |



Information de commande

Modèle

| | |
|----------|-------------|
| | SWL2 |
| | Beam Angle |
| Ampoules | 29 - 30° |
| MR16 | 30 - 45° |
| 2700 K | 31 - 60° |
| 4 W DEL | 32 - 100° |

| | |
|----------|-------------|
| | SWL2 |
| | Beam Angle |
| Ampoules | 19 - 30° |
| MR16 | 20 - 45° |
| 3000 K | 21 - 60° |
| 4 W DEL | 22 - 100° |

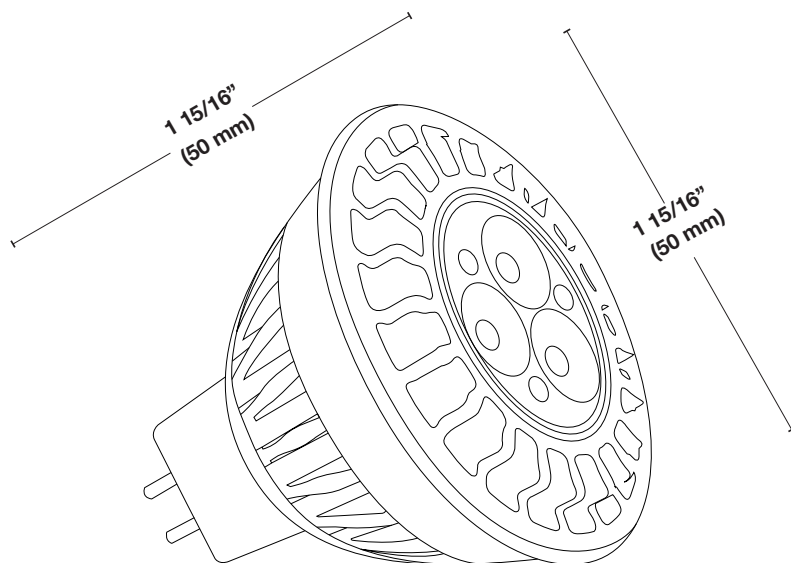
Avis : Toutes les cotes peuvent être modifiées sans préavis.



Specifications

PROJECT:

| | |
|---------------------------------|----------------------------------|
| Lamp Type | MR16 |
| Base | GU5.3 |
| Voltage | 9 V - 18 V AC/DC |
| Wattage | 4 Watts |
| Light Source | LED (Light Emitting Diode) |
| Halogen Comparable Power | ≈ 40 Watts |
| Beam Angle | 30°, 45°, 60°, 100° |
| Color Temperature | 2700 or 3000 Kelvin |
| Output | 350 Lumens |
| Color Rendering Index | 80+ |
| Rated Lifetime | 40,000 hours |
| MOL | 1 15/16" (50 mm) |
| Usage | Suitable for enclosed luminaires |
| Dimmable | Yes |
| Certification | UL 1838 & CAN/CSA-C22.2 No. 1993 |
| Warranty | 5 years Limited |



Ordering information

| | | | | | | | | | |
|---|---|---------------|----------|----------|----------|----------|----------|-----------|-----------|
| Model | SWL2 | SWL2 | | | | | | | |
| | Beam Angle | Beam Angle | | | | | | | |
| Notice: All ratings subject to change without notice. | 2700 K | 3000 K | | | | | | | |
| | 4 W LED | 4 W LED | | | | | | | |
| | MR16 Lamp | MR16 Lamp | | | | | | | |
| | <table border="0"> <tr> <td style="border-right: 1px solid black; padding-right: 5px;">29 - 30°</td> <td style="padding-left: 5px;">19 - 30°</td> </tr> <tr> <td style="border-right: 1px solid black; padding-right: 5px;">30 - 45°</td> <td style="padding-left: 5px;">20 - 45°</td> </tr> <tr> <td style="border-right: 1px solid black; padding-right: 5px;">31 - 60°</td> <td style="padding-left: 5px;">21 - 60°</td> </tr> <tr> <td style="border-right: 1px solid black; padding-right: 5px;">32 - 100°</td> <td style="padding-left: 5px;">22 - 100°</td> </tr> </table> | 29 - 30° | 19 - 30° | 30 - 45° | 20 - 45° | 31 - 60° | 21 - 60° | 32 - 100° | 22 - 100° |
| 29 - 30° | 19 - 30° | | | | | | | | |
| 30 - 45° | 20 - 45° | | | | | | | | |
| 31 - 60° | 21 - 60° | | | | | | | | |
| 32 - 100° | 22 - 100° | | | | | | | | |