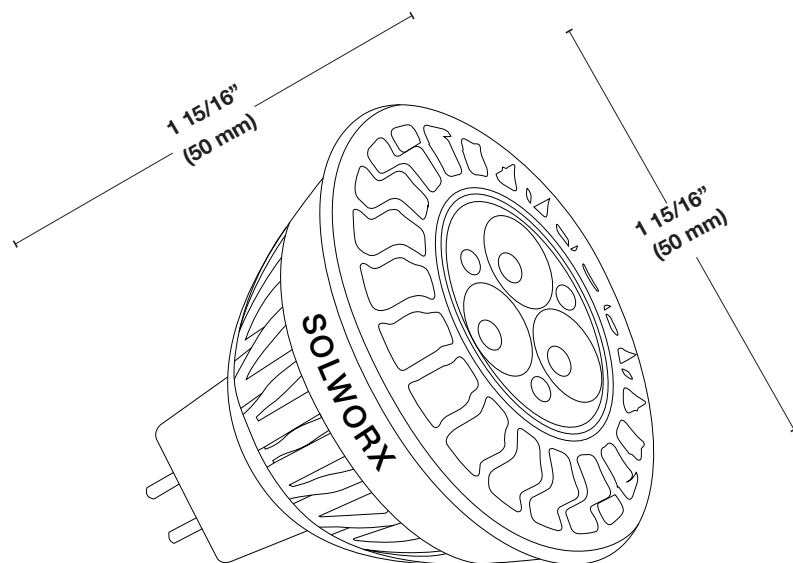


PROJET:

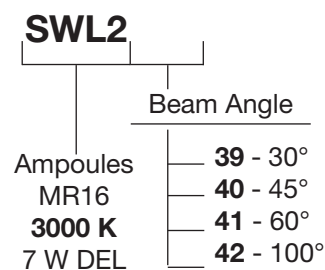
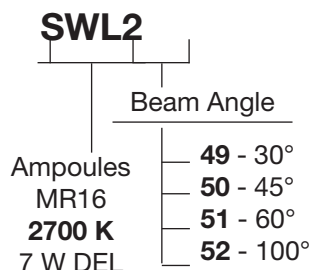
## Spécifications

Ampoule	MR16
Base	GU5.3
Tension	9 V - 18 V AC/DC
Source de lumière	DEL (Diode électroluminescente)
Puissance	7 watts
Halogène Puissance comparable	≈ 75 Watts
Angle d'éclairage	30°, 45°, 60°, 100°
Température (Couleur)	2700 or 3000 Kelvin
Flux lumineux	670 lumens
Rendu de couleur (IRC)	80+
Durée de vie moyenne	40 000 heures
MOL	1 15/16" (50 mm)
Usage	Convient aux luminaires fermés
Gradable	Oui
Certification	UL 1838 & CSA C22.2 No. 250.7
Garantie	5 ans limitée



## Information de commande

Modèle



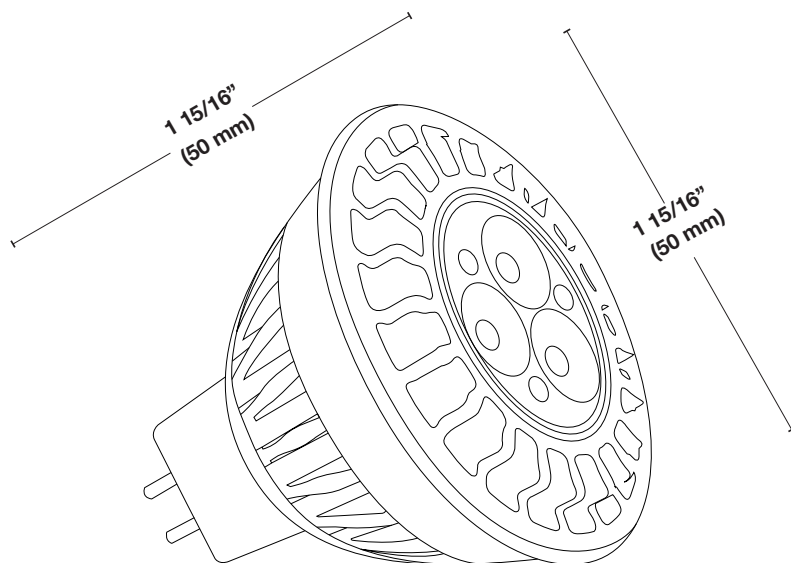
Avis : Toutes les cotes peuvent être modifiées sans préavis.



## Specifications

PROJECT:

<b>Lamp Type</b>	MR16
<b>Base</b>	GU5.3
<b>Voltage</b>	9 V - 18 V AC/DC
<b>Wattage</b>	7 Watts
<b>Light Source</b>	LED (Light Emitting Diode)
<b>Halogen Comparable Power</b>	≈ 75 Watts
<b>Beam Angle</b>	30°, 45°, 60°, 100°
<b>Color Temperature</b>	2700 or 3000 Kelvin
<b>Output</b>	670 Lumens
<b>Color Rendering Index</b>	80+
<b>Rated Lifetime</b>	40,000 hours
<b>MOL</b>	1 15/16" (50 mm)
<b>Usage</b>	Suitable for enclosed luminaires
<b>Dimmable</b>	Yes
<b>Certification</b>	UL 1838 & CAN/CSA-C22.2 No. 1993
<b>Warranty</b>	5 years Limited



## Ordering information

Model	<b>SWL2</b>	<b>SWL2</b>															
	Beam Angle	Beam Angle															
Notice: All ratings subject to change without notice.	2700 K	3000 K															
	7 W LED	7W LED															
	MR16 Lamp	MR16 Lamp															
	<table border="0"> <tr><td style="border-right: 1px solid black; padding-right: 5px;">49</td><td style="padding-left: 5px;">- 30°</td></tr> <tr><td style="border-right: 1px solid black; padding-right: 5px;">50</td><td style="padding-left: 5px;">- 45°</td></tr> <tr><td style="border-right: 1px solid black; padding-right: 5px;">51</td><td style="padding-left: 5px;">- 60°</td></tr> <tr><td style="border-right: 1px solid black; padding-right: 5px;">52</td><td style="padding-left: 5px;">- 100°</td></tr> </table>	49	- 30°	50	- 45°	51	- 60°	52	- 100°	<table border="0"> <tr><td style="border-right: 1px solid black; padding-right: 5px;">39</td><td style="padding-left: 5px;">- 30°</td></tr> <tr><td style="border-right: 1px solid black; padding-right: 5px;">40</td><td style="padding-left: 5px;">- 45°</td></tr> <tr><td style="border-right: 1px solid black; padding-right: 5px;">41</td><td style="padding-left: 5px;">- 60°</td></tr> <tr><td style="border-right: 1px solid black; padding-right: 5px;">42</td><td style="padding-left: 5px;">- 100°</td></tr> </table>	39	- 30°	40	- 45°	41	- 60°	42
49	- 30°																
50	- 45°																
51	- 60°																
52	- 100°																
39	- 30°																
40	- 45°																
41	- 60°																
42	- 100°																