



Date
Project
Fixture
Comments

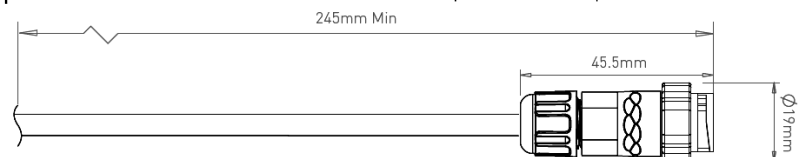
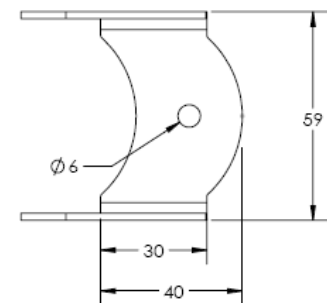
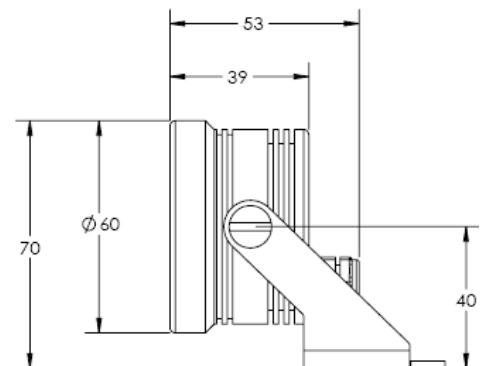
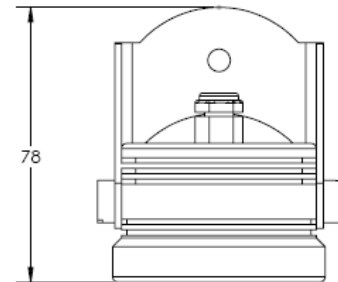
Part Number	Description
GP255	Gantom One DMX - Cool White (6500K) - Pro Cable Connector
GP256	Gantom One DMX - Warm White (3000K) - Pro Cable Connector
GP257	Gantom One DMX - Ultraviolet (395nm) - Pro Cable Connector

## Description

Compact, powerful, versatile... this is the One. Gantom listened to some of the most skilled lighting professionals in the industry ...and, based on their input, designed the One; the pinspot to rule all pinspots. Compared to a traditional 30W pinspot, the One runs cooler and safer on far less power, has much cleaner optics, and can even be run on batteries. The Gantom One includes an integrated, easy-to-use magnetic accessory mounting system. Choose from an almost infinite array of color filters and diffusers to achieve any effect you desire, then install the perfect option without tools or hassle. Now available in a fully DMX controllable version. The Gantom One DMX is configured using our DMX Programmer app, available free for Apple and Android devices.

## Features

- ▶ Ultra narrow beam optics for optimal, long-distance throw
- ▶ Exceeds output of traditional 30W pinspots while using only 4.8W
- ▶ Low voltage and minimal heat for improved safety over incandescent sources
- ▶ Magnetic accessory attachment for filters and diffusers included
- ▶ Locking connector for use with Gantom Pro Cable System
- ▶ Warm White or Cool White LED
- ▶ Individually addressable and DMX controllable
- ▶ Internal constant-current driver gives efficient and consistent output
- ▶ Class 2, low-voltage 12-24VDC input (DO NOT HOT PLUG)
- ▶ Minimal maintenance required with over 50,000 hour lamp life.



Male Pro Cable Branch Connector

### Technical Specifications

#### Source

LED model	Cree Xlamp XP-G
-----------	-----------------

#### LED Color

Warm White	3000K
Cool White	6500K

#### Electrical

Voltage range	12-24VDC <b>DO NOT HOT PLUG</b>
Wattage	4.8W max
Dimming Compatability	DMX Controlled
Connector	Gantom Pro Cable Connector

#### Physical

Materials	Machined aluminum
finish options	black default, silver available by custom order
IP rating	IP65 - for outdoor install
Weight	227 grams (8.0 oz)

#### Optical

	Beam / Field Angle	1m Illuminance	2m Illuminance	3m Illuminance
Cool White Spot	2.7° / 4.5°	22100 lx (2053.2 fc)	8100 lx ( 752.5 fc)	4100 lx (380.9 fc)
Warm White Spot	2.7° / 4.5°	15000 lx (1393.5 fc)	5500 lx (511.0 fc)	2700 lx (250.8 fc)

Diffuser Installed	Narrow Diffuser	Medium Diffuser	Wide Diffuser	Assymmetric Diffuser	No Diffuser
Marking	1 Notch	2 Notches	3 Notches	U Notch	N/A
Beam / Field Angle	9° / 18°	27° / 51°	70° / 110°	18° / 32° short axis 47° / 84° long axis	2.7° / 4.5°
Brightview Part#	C-HE10	C-HE30	C-HE80	N/A	N/A

#### Available Accessories

Part#	Accessory Description
RP32	Replacement Diffuser Pack (4x diffusers with varying beam spread)
FA34	Permanent Gel and Diffuser Retainer for 60 mm Fixture - Black Anodized Finish
FA28	Angled Beam Control Cowling for 60 mm Fixture - Black Anodized Finish
FA27	Beam Control Snoot for 60 mm Fixture - Black Anodized Finish

#### Thermal

Ambient operating temperature	0-50° C
Cooling method	passive
BTUs / hour	16 max

#### DMX

Channel Footprint	single channel
Channel Mapping	Ch1. Intensity (0-255)
Addressing	Gantom Programmer App or DarkBox Programmer
Lowest Dimming Level	0.05%

#### Warranty

Fixture	2 years
---------	---------

#### Certifications

USA / Canada	UL
Europe	CE, RoHS